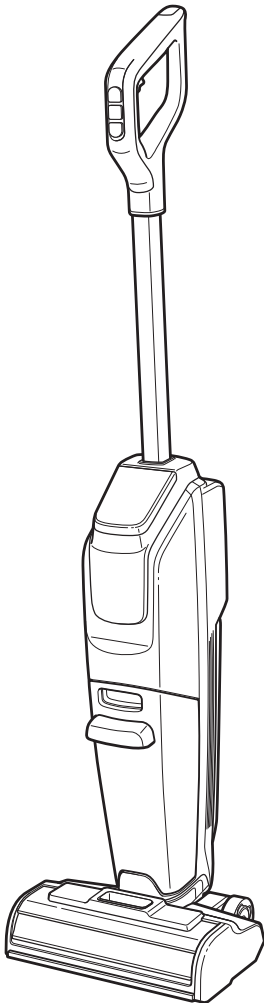




CROSSWAVE® HYDROSCRUB™
4283, 4284, 4301 SERIES





..... 3



..... 4



..... 5



..... 6



..... 9



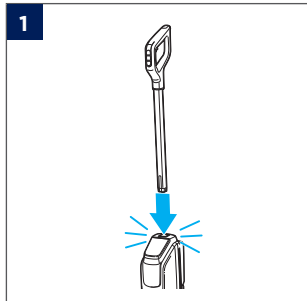
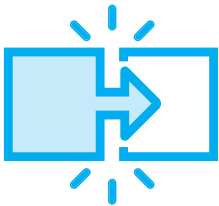
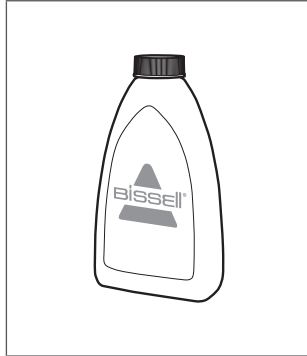
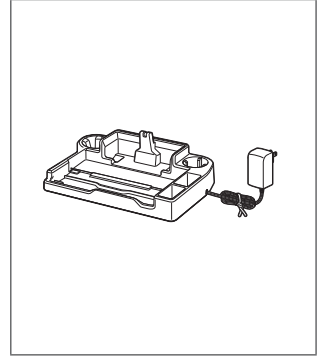
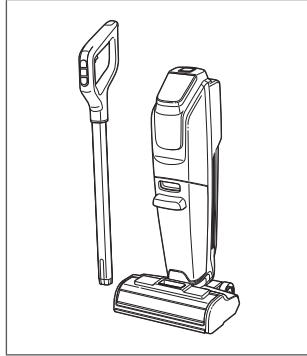
..... 10

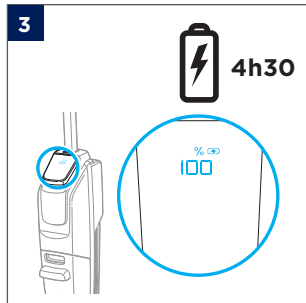
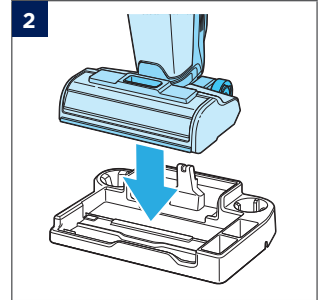
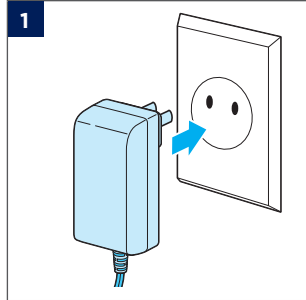


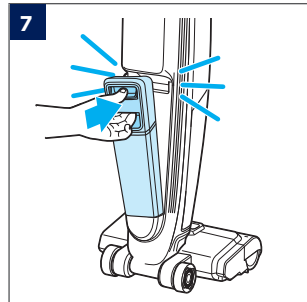
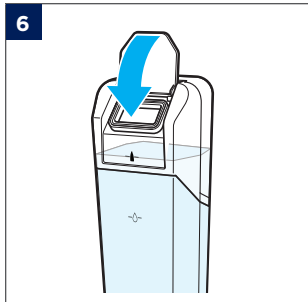
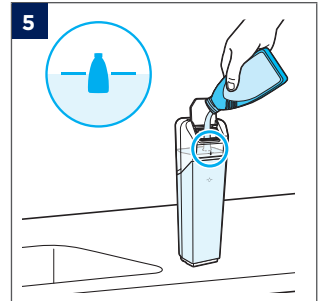
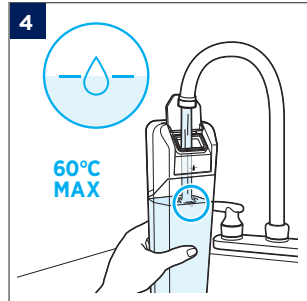
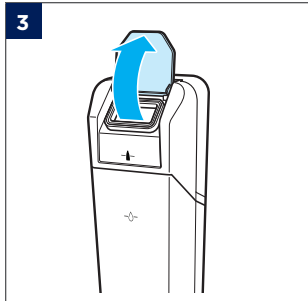
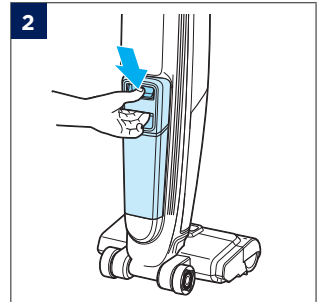
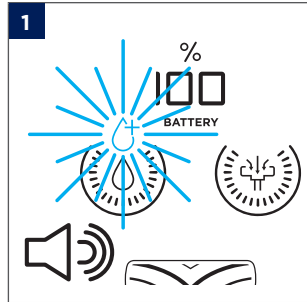
..... 11



..... 12







BISSELL® Natural Multi-Surface Cleaning Solution (3096, 3096I), BISSELL® Natural Multi-Surface Pet Cleaning Solution (3122, 3122I), BISSELL® Multi-Surface Cleaning Solution (1789L), BISSELL® Multi-Surface Pet Cleaning Solution (2550), BISSELL® CrossWave® Pet Pro Oxy (4019M)

